



Helping You To Ensure Your School Is Covid Secure

**Flexit FF&E Solutions, Tarnfield House, Moorfield Road, Yeadon, LS19 7BN
0113 256 8929 | sales@flexit-solutions.com | www.flexit-solutions.com**

Please follow our 10 point plan offering solutions to help your school building be correctly prepared for a safe return of staff and pupils.

01

Sanitisation

02

PPE

03

Safety Stickers

04

Distancing
Solutions

05

Proximity
Screens

06

Classroom
Solutions

07

Door Entry
Solutions

08

Temperature
Checks

09

Decontamination

10

Any Questions?

01 Sanitisation	Pg. 4
02 PPE	Pg. 7
03 Safety Stickers	Pg. 8
04 Distancing Solutions	Pg. 9
05 Proximity Screens	Pg. 11
06 Classroom Solutions	Pg. 13
07 Door Entry Solutions	Pg. 14
08 Temperature Checks	Pg. 15
09 Decontamination	Pg. 16

100ml, 450ml & 5L Sanitiser Hand Gel

- Alcohol Sanitiser Hand Gel
- Available in 100ml flip top, 500ml pump or 5L container
- Kills 99% of bacteria

Aerosol Disinfectant Spray 500ml

- Kills 99.9% of bacteria
- Non staining
- Non corrosive
- Contains active biocides



Non-Touch, Pedal-Operated

complete with 5L sanitising hand gel
and pump nozzle

- **Completely hands-free**
- **Fully mechanical, no electronics**
- **Durable and robust**
- **Brushed stainless steel**
- **Free standing**
- **Base can be fixed to floor**
- **Suitable for both indoor and outdoor**
- **Easy to refill**
- **Height 1000mm, Diameter 114mm,
Foot Diameters 330mm**



Infrared Station

- Contactless infrared dispenser
- Large storage tank
- Lockable storage cupboard
- Sturdy construction
- Drip bowl
- Mains or battery powered
- Available in various colours
- Infants (650mm height)
- Juniors (750mm height)
- Secondary (850mm height)



Type II 3 Ply Face Mask

- 3 Ply
- Secured with ear loops
- One size fits all

Fleximask Cotton Face Mask

- Available in 3 sizes:

Small (Child) approx. 16cm

Medium (Female) approx. 18cm

Large (Male) approx. 20cm

- Washable and re-usable
Hand wash at 30 degrees and line dry



Safety Stickers

- Ideal for all public buildings
- Cost effective
- Durable
- Customisable
- Circular stickers 300mm diameter

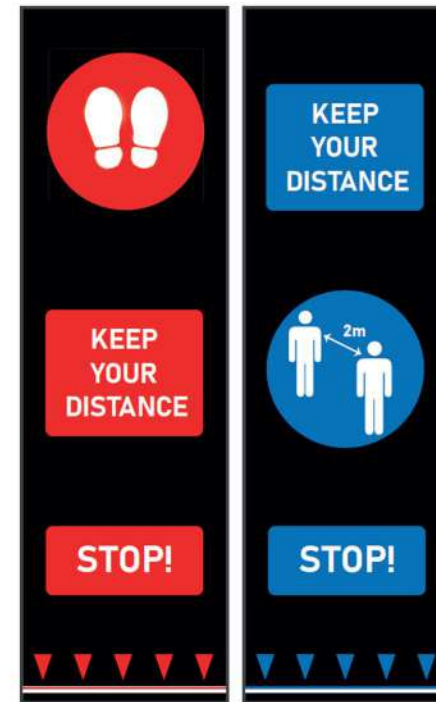


Distancing Mats

- Ideal for all public buildings
- Cost effective
- Durable
- Low profile borders
- Machine washable
- Non-slip vinyl backing

Distancing Tiles

- 500mm x 500mm carpet tile
- Simply replace existing tiles at the correct 2m spacing.
- Choice of arrow, symbol or coloured tiles



Warning Tape

10

- Self adhesive
- 50mm x 33M

Available in colours:

- Black/Red
- Black/Yellow



- Desk/Counter Top Screens
- Heavy Duty & Hinged Screens
- Floor Standing Guards
- Screen On Wheels
- Safety Screens

Wipe clean sneeze screens.
Made in UK. These can be freestanding
easily movable or fixed down.

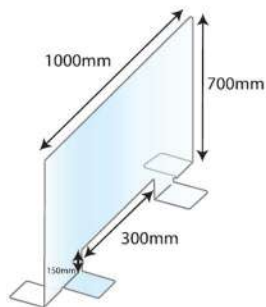
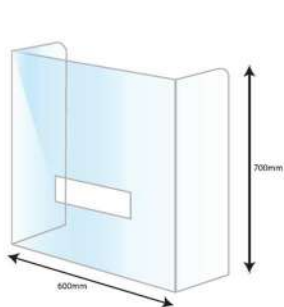
- Easy assembly
- Smooth safe edges
- Bespoke sizes/arrangements available



Protective desk
mounted sneeze
guard screen.



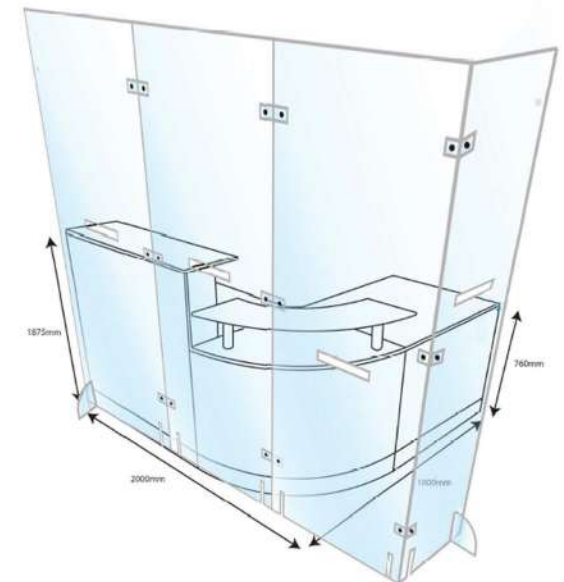
Bespoke built in screens



Freestanding floor mounted sneeze guard - Fixed
Code: SFS1-FRNGE - 100 Panel Frame and 2 bases



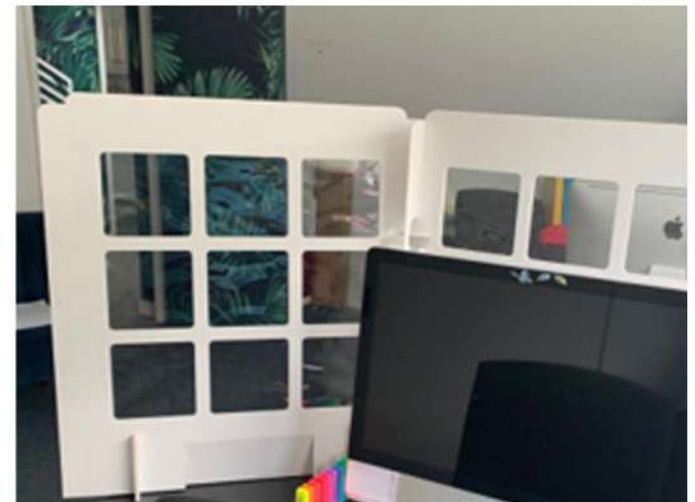
Freestanding floor mounted sneeze guard - Hinged
Code: SFS1-FRNGE - 100 Panel Frame and 2 bases
Each panel is 600mm x 1875mm



Safety Screen

- Windows made from 75um clear film
- Non-shatter clear screen
- Manufactured in White B-flute board from sustainable sources
- Supplied with two struts
- Panels can be linked together

600mm W x 750mm H



Folding Desk

- A polypropylene top exam desk with metal frame
- Easy clean and graffiti proof
- Integral pen groove
- Ultra strong stable base
- Classroom safe
- Sturdy steel frame with anti-slip feet
- Available in Blue or Charcoal



Folding Chair

- Integral linking feature
- Lightweight, folding and durable with metal frame
- Available in Blue or Charcoal



***Hire options also available**

Just wave your hand in front of the sensor.

To reduce the amount of contact required when moving around your premises, we can replace your push to exit buttons for a non-contact option.

Call us on 0113 256 8929 or email sales@flexit-solutions.com to discuss your requirements.



We have a range of thermometers available.

Call us on 0113 256 8929 or email sales@flexit-solutions.com to discuss your requirements.



Is your building free from contamination?

As in all cases of virus outbreaks you want to ensure a safe, clean environment for everyone.

The answer to dealing with the issue is to undertake deep cleaning to the affected areas.

Flexit have teams of trained professionals, who are being dispatched to buildings across the UK before they re-open.

This service will be of particular interest where there are:

- **Areas of high footfall, including classrooms, offices, meeting rooms, canteens and reception areas.**
- **Hygiene facilities, including washrooms, toilets and hand-washing stations.**



Act fast, get in touch now!

Call us on 0113 256 8929 or email sales@flexit-solutions.com for more information and pricing.

Any Questions?

Contact our friendly team now to discuss
your requirements...

**Flexit Solutions
Tarnfield House
Moorfield Road
Yeadon
Leeds
LS19 7BN**

Tel: 0113 256 8929

Email: sales@flexit-solutions.com

Web: www.flexit-solutions.com

